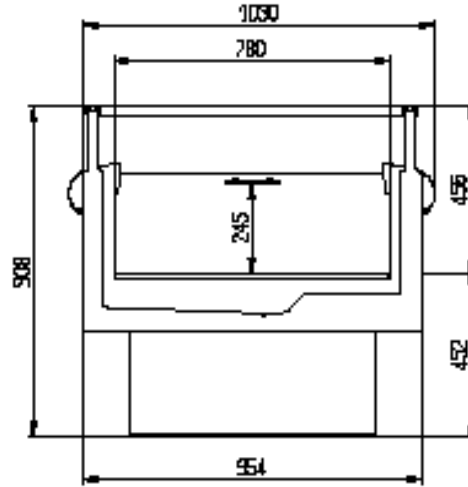




Commercial and Industrial Refrigeration

# Antigua



**The total amount includes:**

- Digital thermometer
- Electronic control panel for model BT/TN
- Bumper profile, PVC grey
- Adjustable base grids
- Fan assisted refrigeration
- Electric defrost
- 1 compressor R404A
- 2 compressor R404A (model 2570 BT & BT/TN )

## DEALER NET PRICE

Length external mm	model	code	TOTAL
1570	BT	9.66.00.00	\$ 4,575.47
	BT/TN	9.66.02.00	\$ 4,911.08
	TN	9.66.01.00	\$ 4,244.59
2070	BT	9.66.00.05	\$ 5,238.74
	BT/TN	9.66.02.05	\$ 5,520.73
	TN	9.66.01.05	\$ 4,799.00
2570	BT	9.66.00.10	\$ 6,605.71
	BT/TN	9.66.02.10	\$ 6,875.29
	TN	9.66.01.10	\$ 5,420.81

## OPTIONAL COLORS

Yellow	RAL 1007		Gentian Blue	RAL 5010	
Yellow	RAL 1016		Yellow Green	RAL 6018	
Yellow	RAL 1021		Light Grey	RAL 7035	
Pure Orange	RAL 2004		Chocolate Brown	RAL 8017	
Light Ivory	RAL 1015		Grey White	RAL 9002	
ORANGE	RAL 202		White Aluminum	RAL 9006	
Ultramarine Blue	RAL 5002		May Green	RAL 6017	